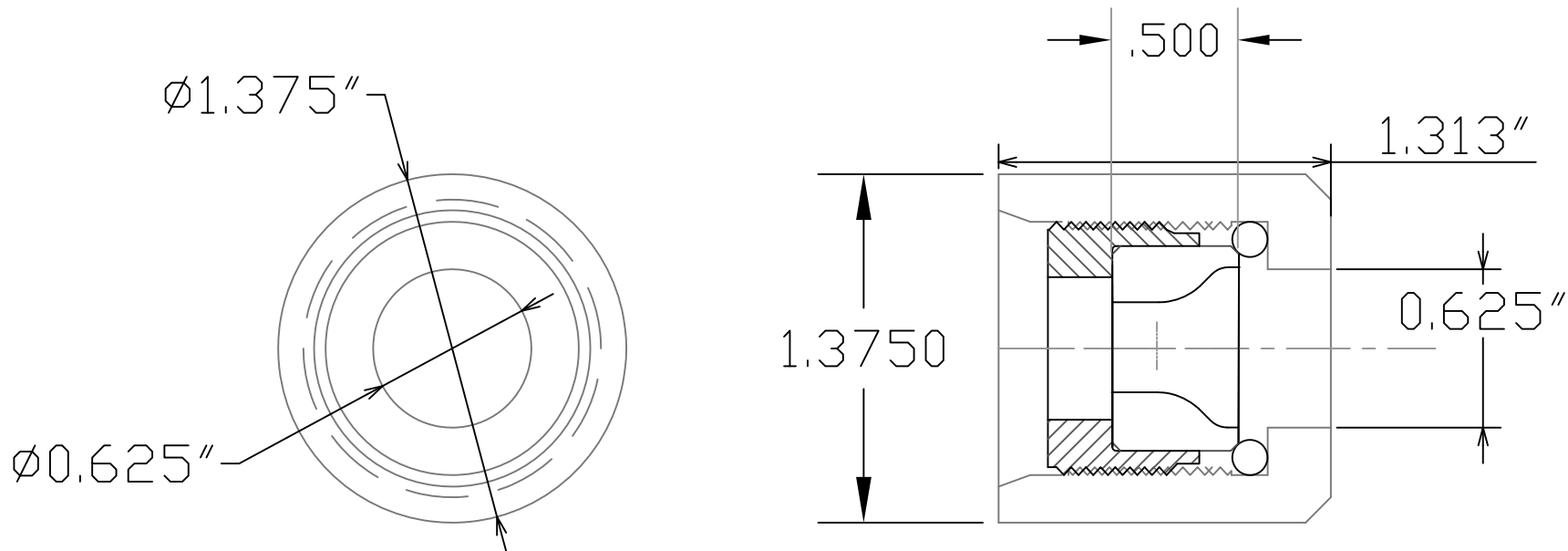


HDDJETNOZZLE.COM

65 SERIES JET NOZZLE ASSY — GENERAL DIMENSION



Copyright © 2014 Cherrington LLC All Rights Reserved
 Notification of Proprietary Design & Data
 This material embodies confidential or proprietary information
 which is the property of Cherrington LLC of Cheyenne, Wyoming,
 USA and which shall not be produced in any manner, stored in any
 databank or retrieval system, disclosed to others were used in
 whole or in part to copy and reproduce the reference part without
 express written consent of the property owner as referenced.

REV	DATE	REVISION DESCRIPTION	BY	CHK'D	APP.
HDDJETNOZZLE General Dimensions		SERIES 65 ASSY DIMENSIONS			
DATE:	14MAR14	DRAWN BY: WDC	CHKED BY:	APPRVD BY:	
UNLESS OTHERWISE SPECIFIED DIMENSIONS ARE IN INCHES. TOLERANCES ARE: X. ± .020 .X ± .015 .XX ± .010 ANGLES ±1° .XXX ± .003 FRACTIONS ±1/16		REVISION: NC	SCALE: 1/1	SHEET: 1 OF 1	
		SHEET SIZE B	FILE NAME: 5720-0000-0138-PD		
DWG NO.		5720-0000-0138-PD			