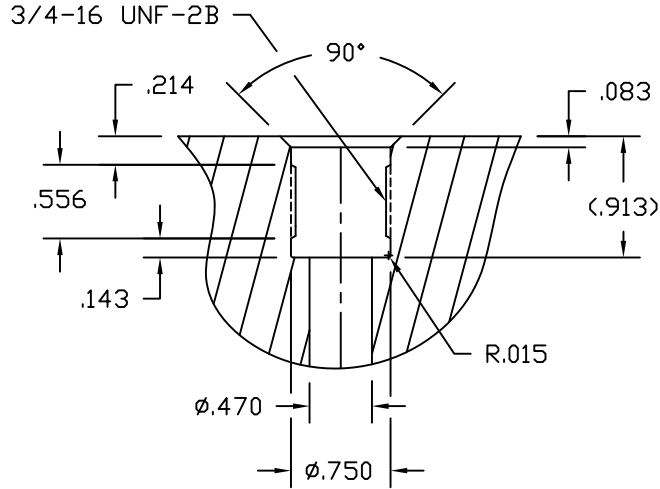


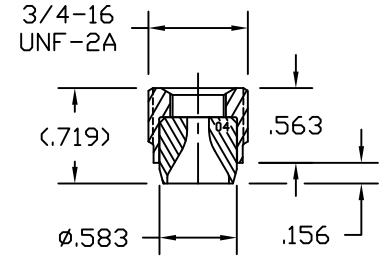
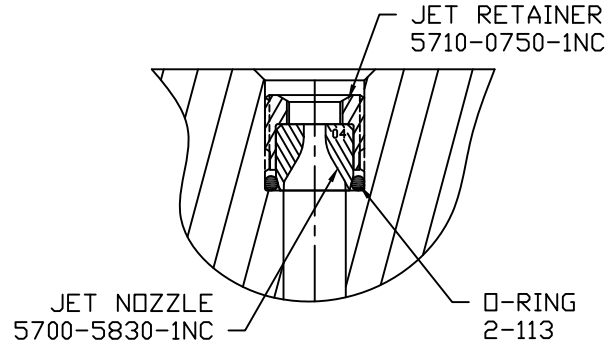
HDDJetNozzle.com

NO	REQD	MATERIAL	SH

SERIES 45 MACHINING PROFILE



SERIES 45 ASSY



SCALE: 1/1

NOTES:

1. ALL DIMENSIONS ARE IN INCHES
2. ALL DIMENSIONS, FINISH DIMENSIONS.
3. STANDARD TOLERANCES UNLESS OTHERWISE NOTED.
4. ALL WELDS PER STD SHOP PRACTICE UNLESS OTHERWISE NOTED.
5. REMOVE ALL BURRS AND SHARP EDGES.
6. SEE COGNIZANT ENGINEER FOR THE CONFIGURATION NESTING PROGRAM.
7. PRE-HEAT ALL PARTS BEFORE WELDING TOGETHER.
8. SEE COGNIZANT ENGINEER FOR JET NOZZLE SIZING & SELECTION.

Proprietary Information & Notification / © 2014 W.D.Cherrington

This material embodies confidential or proprietary information which is the property of W. D. Cherrington of Sacramento, California, USA and which shall not be produced in any manner, stored in any databank or retrieval system, disclosed to others were used in whole or in part to copy and reproduce the reference part without express written consent of the property owner as referenced.

REV	DATE	REVISION DESCRIPTION	BY	CHK'D	APP.
HDDJETNOZZLE General Dimensions Public Distribution		SERIES 45 ASSY & MACHINING PROFILE			
DATE:	14MAR14	DRAWN BY:	RJC	CHKED BY:	APPRVD BY:
UNLESS OTHERWISE SPECIFIED DIMENSIONS ARE IN INCHES. TOLERANCES ARE:		REVISION:	NC	SCALE:	1/1
X. ± .020		SHEET SIZE	B	FILE NAME:	
.X ± .015		DWG NO.	5700-0000-1NC		
.XX ± .010					
.XXX ± .003					
ANGLES ±1°					
FRACTIONS ±1/16					