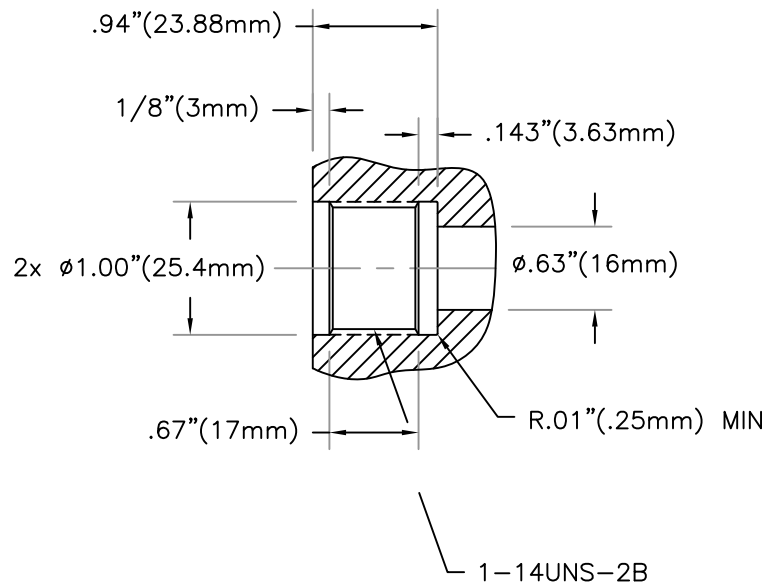


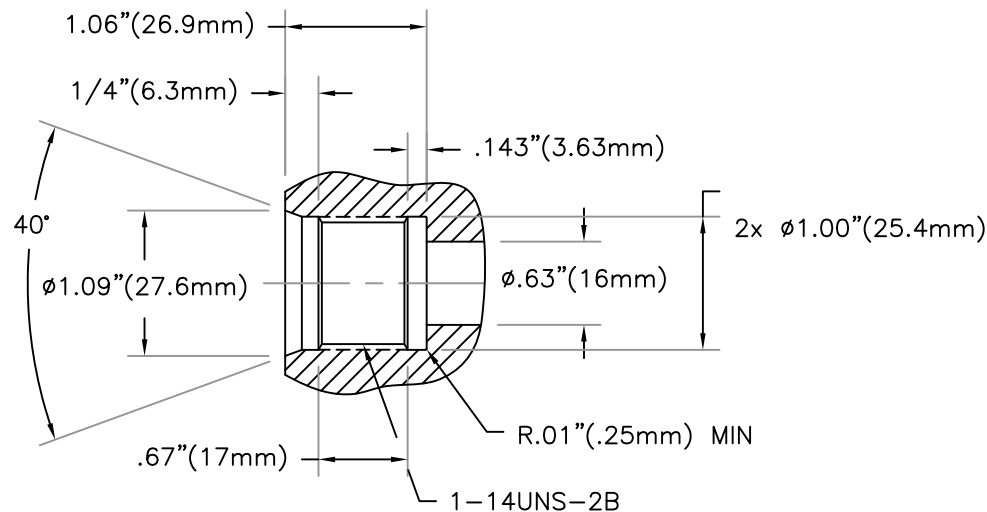
NO	REQD	MATERIAL	SH

SERIES 65 THREAD-BORE MACHINE DETAIL

WITHOUT LEADING C'SINK



WITH LEADING C'SINK



Copyright © 2014 Cherrington LLC All Rights Reserved Notification of Proprietary Design & Data
 This material embodies confidential or proprietary information which is the property of Cherrington LLC of Cheyenne, Wyoming, USA and which shall not be produced in any manner, stored in any databank or retrieval system, disclosed to others were used in whole or in part to copy and reproduce the reference part without express written consent of the property owner as referenced.

REV	DATE	REVISION DESCRIPTION	BY	CHK'D	APP.
		SERIES 65 THREAD-BORE MACHINE DETAIL			
	DATE: 6FEB14	DRAWN BY: RJC	CHKD BY:	APPRD BY:	
	UNLESS OTHERWISE SPECIFIED DIMENSIONS ARE IN INCHES. TOLERANCES ARE:	REVISION: N/C	SCALE: 1/1	SHEET: 1 OF 1	
	X. ± .020	SH SIZE: B	FILE NAME: 5725-0138-1NC		
	.X ± .015	DWG NO. 5725-0138-1NC			
	.XX ± .010				
	.XXX ± .003				
	ANGLES ±1°				
	FRACTIONS ±1/16				