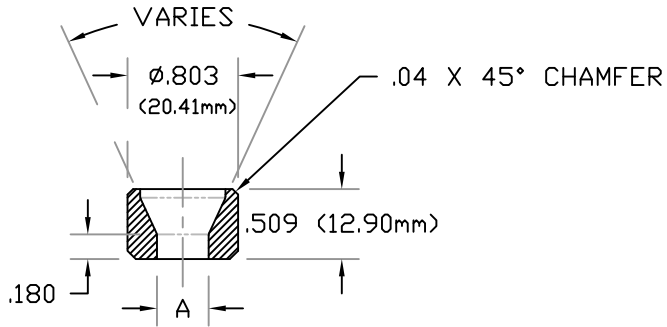
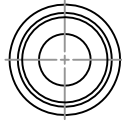


NO	REQD	MATERIAL	SH
1	ALL	CARBIDE GRADE/TYPE YG6X	

HDDJETNOZZLE.COM

SERIES 65 NOZZLE

BACK VIEW



PART NO.	A-DIM.	MM.	LASER
5700-8030-04	.125	3.137	
5700-8030-05	.156	3.962	
5700-8030-06	.188	4.775	
5700-8030-07	.219	5.563	
5700-8030-08	.250	6.350	S65-08
5700-8030-09	.281	7.137	S65-09
5700-8030-010	.313	7.950	S65-10
5700-8030-012	.375	9.525	S65-12
5700-8030-014	.438	11.125	S65-14
5700-8030-016	.500	12.700	S65-16
5700-8030-018	.562	14.287	S65-18

C	9/11/13	-018, MM COLUMN TO TABLE, ADD MATERIAL, LASER MARKINGS	WDC	WDC	
B	2/14/14	ADDED -04 THRU -06	RJC	RJC	
A	9/11/13	ADDED .180 DIM & VARIABLE ANGLE.	RJC	RJC	
REV	DATE	REVISION DESCRIPTION	BY	CHK'D	APP.

HDDJETNOZZLE General Dimensions Public Distribution		JET NOZZLE 65 SERIES			
DATE:	24SEP19	DRAWN BY:	RJC	CHKD BY:	APPRVD BY:
UNLESS OTHERWISE SPECIFIED DIMENSIONS ARE IN INCHES. TOLERANCES ARE:		REVISION:	D	SCALE:	1/1
.X ± .020		JOB NO.	FILE NAME: PD5700-8030-1D		
.X ± .015		DWG NO.	PD-5700-8030-1D		
.XX ± .010					
.XXX ± .003					
ANGLES ±1°					
FRACTIONS ±1/16					

Copyright © 2014 Cherrington LLC All Rights Reserved Notification of Proprietary Design & Data
This material embodies confidential or proprietary information which is the property of Cherrington LLC of Cheyenne, Wyoming, USA and which shall not be produced in any manner, stored in any databank or retrieval system, disclosed to others were used in whole or in part to copy and reproduce the reference part without express written consent of the property owner as referenced.